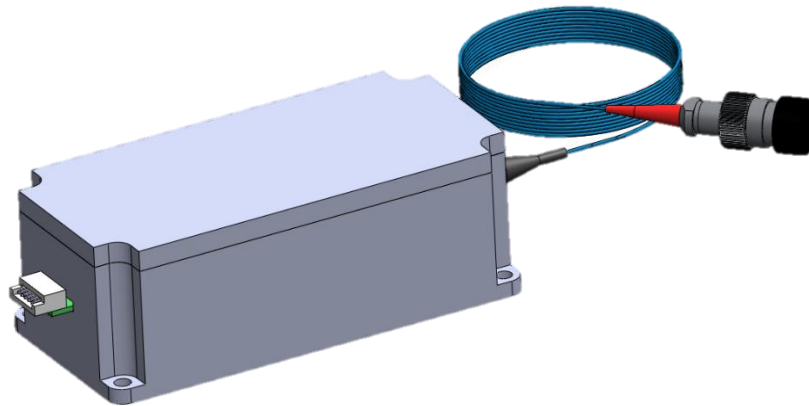


Specification Sheet | IsoBragg™
Fiber-Coupled and Optically Isolated Package



Description

The Photodigm IsoBragg™ is a new line of high-powered fiber-coupled optically isolated laser diode packages with superior power performance in a portable size. Leveraging the accuracy and precision of an edge-emitting Photodigm Distributed Bragg Reflector (DBR) laser diode, designed from its proprietary monolithic single-frequency Gallium Arsenide (GaAs) advanced laser technology. The IsoBragg™ package provides a single spatial mode beam coupled into a 1-meter-length polarization maintaining (PM) fiber affixed with an FC/APC male output connector.

Specifications

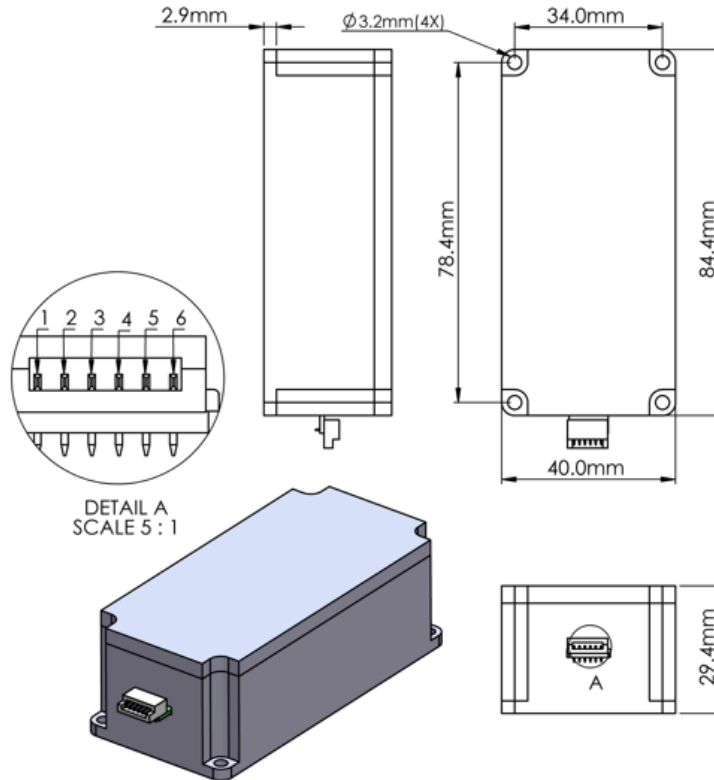
The IsoBragg™ features all the standard specifications of a Photodigm DBR Chip on Submount (CoS) package, with the following exceptions and additions:

Package

Parameter	Value			
Package	Aluminum 6061			
Dimensions (mm)	84.4 x 40.0 x 29.4			
Wavelength Range (nm)	1050 - 1080			
Parameter	Unit	Min	Typical	Max
Optical Isolation	dB	-	≥ 60	-
Power Range ¹	mW	30	-	180
Fiber Bend Radius	mm	25	-	-
Fiber Numerical Aperture	-	-	0.12	-
TEC Current	A	-1.9	-	1.9
TEC Voltage	V	-2.8	-	2.8
Thermistor Resistance	kΩ	-	10	-

1. Power range dependent upon chosen device architecture and wavelength

Specification Sheet | IsoBragg™
Fiber-Coupled and Optically Isolated Package



Position	Terminal	Color
1	TEC (-)	Black
2	Laser Diode (+)	Yellow
3	Laser Diode (-)	Green
4	Thermistor (-)	Orange
5	Thermistor (+)	Red
6	TEC (+)	White

Note: Customer is expected to make connections from the wiring harness (drawing available upon request) to their laser diode and thermo-electric cooler (TEC) controller

Handling Precautions

These devices are sensitive to ESD. When handling the module, a grounded work area and wrist strap must be used. Always store in an antistatic container with all leads shorted together.



Photodigm, Inc. reserves the right to make changes in design, specifications, and other information at any time, and without prior notice. The information contained within the specification sheet is believed to be accurate. However, no responsibility is assumed for possible inaccuracy or omission. Any information contained herein shall not legally bind Photodigm, Inc. unless it is specifically incorporated in the terms and conditions of a sales agreement.